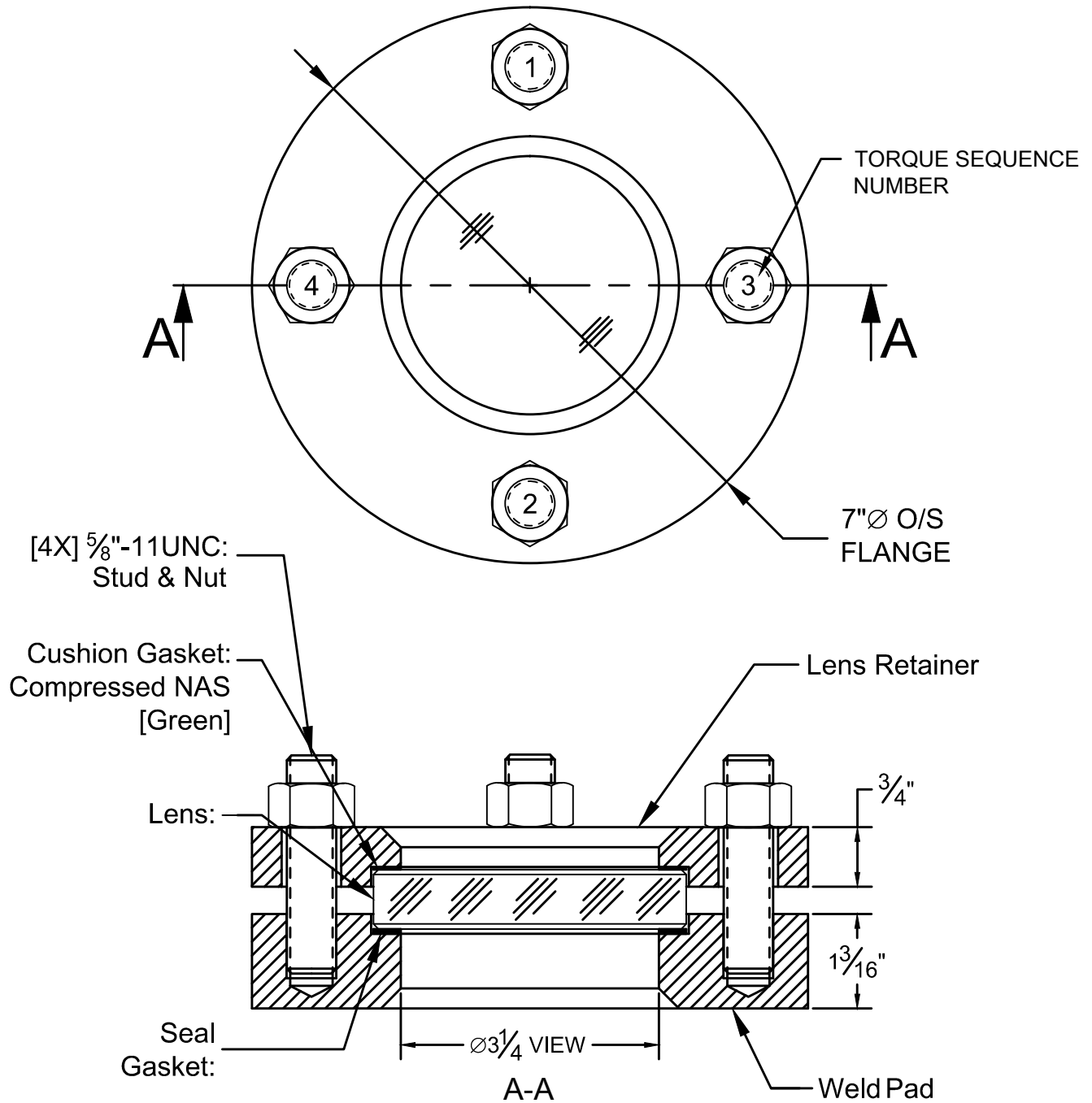


SERIES NW50 | 3 1/4" Ø WELD PAD STYLE CIRCULAR SIGHT GLASS



NOTES:

1. FASTENER CONFORM TO ASME SECTION VIII REQUIREMENTS
2. FLANGES ARE ASME SECTION VIII FORGINGS [CMTR'S PROVIDED]
3. RATING: 150PSI/FV
4. FOR TORQUE VALUES AND INSTALLATION INSTRUCTION SEE JGPCO MANUAL #001

TORQUE TABLE - FT-LBS

ELASTOMER	EXPANDED PTFE	GRAFOIL
15	19	16

WARNING: ASME CODE CALCULATIONS AND ANY RESULTING ADDITIONAL MATERIAL NEEDED TO REINFORCE SIGHT GLASS OPENING TO MEET ASME CODE IS THE RESPONSIBILITY OF THE VESSEL MANUFACTURER.

PAPAILIAS
INCORPORATED

245 PEGASUS AVE, NORTHVALE, NJ 07647 | (201)767-4027 WWW.PAPAILIAS.COM

UNLESS OTHERWISE NOTED: DIMENSIONS ARE IN INCHES. DIMENSIONS SYMMETRICAL ABOUT CENTERLINES. BREAK CORNERS. REMOVE BURRS. CAST FILLET RADII: 1/8" R, CAST CORNER RADII: 1/16" R

SERIES NW50
3 1/4" Ø VIEW ASME SEC VIII WELD PAD STYLE SIGHT GLASS

THIS DRAWING IS THE SOLE PROPERTY OF THE PAPAILIAS COMPANY, INC. AND NEITHER THE DOCUMENT NOR THE INFORMATION CONTAINED HEREIN SHALL BE COPIED, REPRODUCED, DISCLOSED OR TRANSFERRED, EXCEPT AS AUTHORIZED IN WRITING.

DRAWN:	GCP	3/15/13
CHECK:	RPS	3/15/13
APPRVD:	GCP	3/15/13

SIZE	CODE IDENT. NO.	DRAWING NO.	REV
A	12740	01A050	0
SCALE: 1/2	WGT: 18 LB [8 KG]	SHEET 1 OF 1	